

TANKS

ABOVE GROUND AND UNDERGROUND TANKS

VERTICAL CYLINDRICAL OPEN TANKS

Above ground installation	
MODEL: CVA	2

VERTICAL CYLINDRICAL CLOSED TANKS

Above ground installation	
MODEL: CVC-S	3

VERTICAL CYLINDRICAL CLOSED TANKS, FLAT BASE

Above ground installation	
MODEL: CVC-FP	4

VERTICAL CYLINDRICAL CLOSED TANKS FOR UNDERGROUND INSTALLATION

Underground installation	
MODEL: CVC-E.....	5

HORIZONTAL CYLINDRICAL CLOSED TANKS FOR UNDERGROUND INSTALLATION

Underground installation	
MODEL: CHC.....	7

BASES FOR HORIZONTAL CYLINDRICAL CLOSED TANKS

Above ground installation	
MODEL: SO-CU	9

VERTICAL CYLINDRICAL CLOSED TANKS WITH BASE FOR AGITATOR

Above ground installation	
MODEL: CVC-B	10

TANKS WITH DOUBLE WALL FOR ABOVE GROUND INSTALLATION

VERTICAL CYLINDRICAL TANKS WITH DOUBLE WALL FOR DIESEL OIL STORAGE

Above ground installation	
MODEL: CVC-DP-H	11

VERTICAL CYLINDRICAL TANKS WITH DOUBLE WALL FOR OIL STORAGE

Above ground installation	
MODEL: CVC-DP-A	13

ACCESSORIES FOR DEPOSITS

CONNECTOR

MODEL: MAN-HEM	15
----------------------	----

PVC FLANGES

MODEL: BRIDA	16
--------------------	----

ACCESSORIES FOR ADDITIONAL INSPECTION MANHOLE

MISCELLANEOUS	17
---------------------	----

NOTICE:

WE CAN PROVIDE DIFFERENT SIZES AND CONFIGURATIONS ACCORDING TO YOUR SPECIFICATIONS. PLEASE CONSULT US. THE INDICATED DIMENSIONS CAN VARY. INTERNAL DIMENSIONS SPECIFIED IN MILLIMETERS. VOLUMES IN LITERS.

Salher is committed to continuous researches and product development and reserves right to amend the information provided in this document without prior notice.

This document is subject to intellectual property right and client shall not copy, amend or hand it on to third parties except if for personal use.

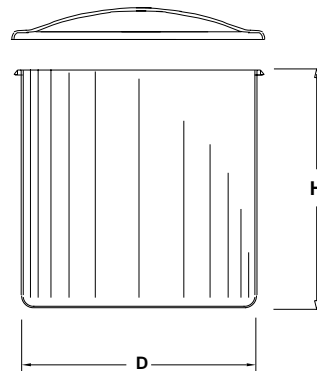
WATER STORAGE TANKS, OF VERTICAL AND CYLINDRICAL SHAPE, OPEN WITH COVER MADE OF FIBERGLASS REINFORCED POLYESTER
MODEL: CVA

Function:

- WATER storage.

Characteristics:

- Manufactured by: Salher, model: CVA
- Device made of fiberglass reinforced polyester (FGRP) with orthophthalic resin.
- Cylindrical, flat base, open top.
- In option: Cover made of fiberglass reinforced polyester.
- In option: PVC flanges. Client must provide number of plugs, diameter and location.
- Other tank diameters available.



CAPACITY [Liters]	DIAMETER (D) [mm]	HEIGHT [mm]
300	620	1.000
500	620	1.650
500	750	1.135
750	750	1.700
1.000	1.000	1.280
1.500	1.000	1.920
1.500	1.200	1.330
2.000	1.200	1.770
2.000	1.400	1.300
2.500	1.400	1.620
3.000	1.400	2.000
4.000	1.400	2.600
4.000	1.700	1.800
5.000	1.700	2.200
6.000	1.700	2.640
6.000	2.000	1.950
7.000	1.700	3.100
7.000	2.000	2.250
8.000	1.700	3.550
8.000	2.000	2.600
9.000	2.000	2.900
10.000	2.000	3.200

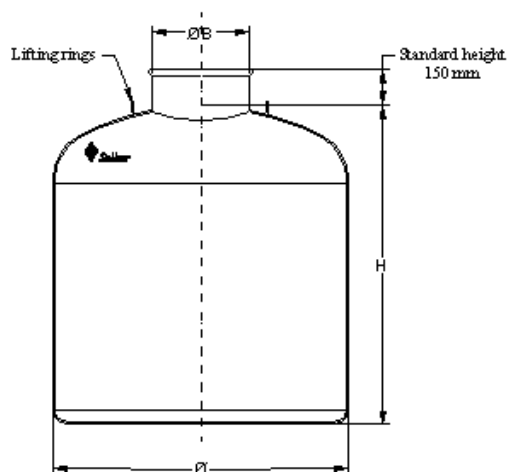
WATER STORAGE TANKS, OF VERTICAL AND CYLINDRICAL SHAPE, CLOSED WITH MANHOLE AND COVER MADE OF FIBERGLASS REINFORCED POLYESTER
MODEL: CVC-S

Function:

- WATER storage

Characteristics:

- Manufactured by: Salher, model: CVC-S.
- Device made of fiberglass reinforced polyester (FGRP) with orthophthalic resin.
- Cylindrical, flat base, semi-rounded top (Korboggen type).
- Cover made of fiberglass reinforced polyester. Convex cover in option.
- PVC flanges in option. Provide number of plugs, diameter and location.
- Other tank diameters available.



CAPACITY [Liters]	DIAMETER (Ø) [mm]	HEIGHT [mm]
1.000	1.000	1.370
1.500	1.000	2.000
1.500	1.400	1.120
2.000	1.400	1.440
2.500	1.400	1.760
3.000	1.400	2.100
4.000	1.400	2.710
5.000	1.700	2.400
5.000	2.000	1.790
6.000	2.000	2.110
8.000	2.000	2.750
9.000	2.000	3.060
10.000	2.000	3.380
12.000	2.000	4.020
15.000	2.000	4.970
15.000	2.500	3.300
20.000	2.500	4.320
24.000	2.500	5.130
25.000	2.500	5.340
30.000	2.500	6.360
35.000	2.500	7.370
40.000	2.500	8.390
45.000	2.500	9.410
50.000	2.500	10.430
60.000	3.000	8.780
70.000	3.000	10.200
80.000	3.000	11.610
90.000	3.500	9.700
100.000	3.500	10.730
110.000	4.000	9.140
120.000	4.000	9.930
130.000	4.000	10.720
140.000	4.000	11.520
150.000	4.000	12.300

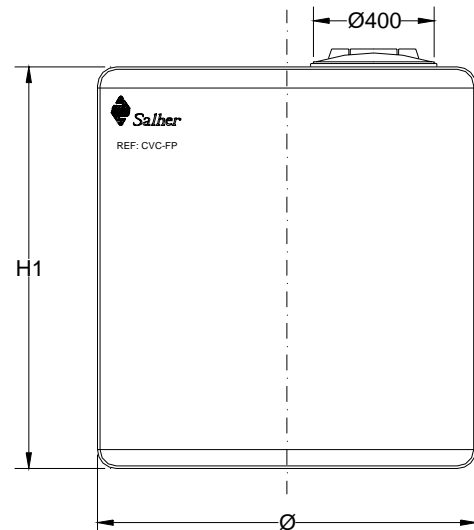
WATER STORAGE TANKS, OF VERTICAL AND CYLINDRICAL SHAPE, CLOSED WITH TURNED COVER
MODEL: CVC-FP

Function:

- WATER storage

Characteristics:

- Manufactured by: Salher, model: CVC-FP
- Device made of fiberglass reinforced polyester (FGRP) with orthophthalic resin.
- Cylindrical shape with flat base and surface.
- Turned cover of 454 or 620mm diameter.
- PVC flanges in option. Provide number of plugs, diameter and location.
- Other tank diameters are available.



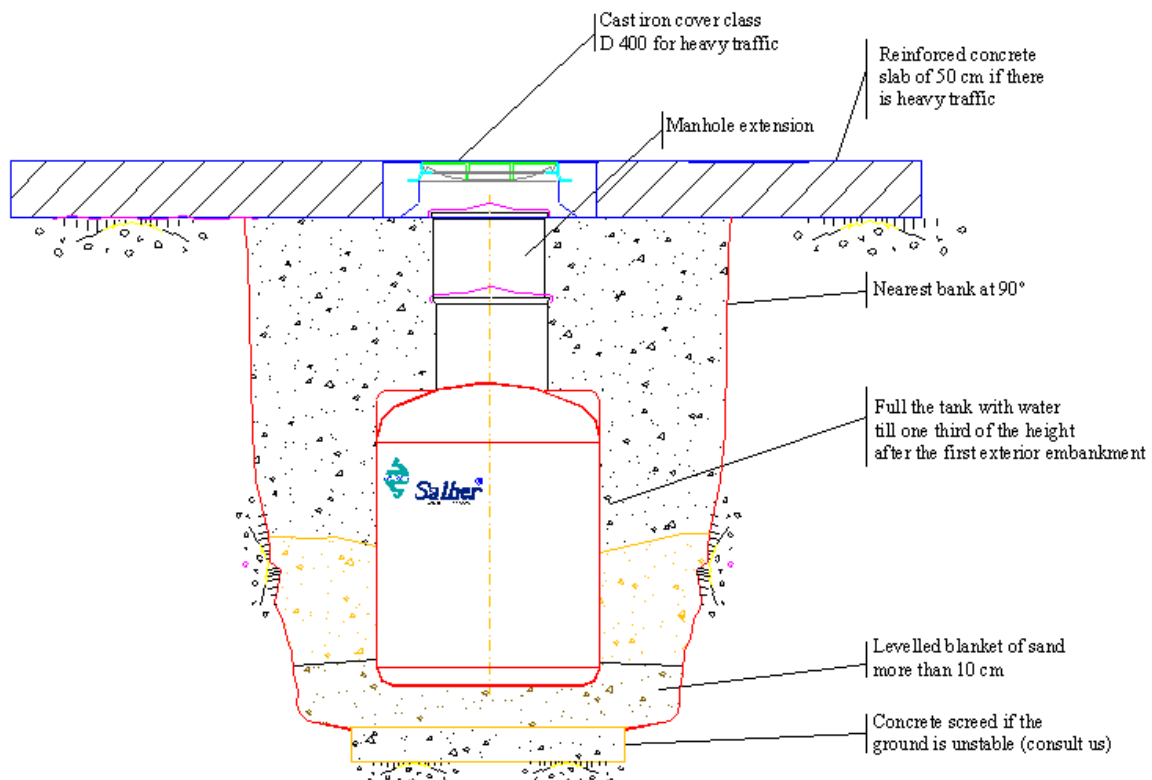
CAPACITY [liters]	DIAMETER [Ø] [mm]	HEIGHT [mm]
5.000	1.700	2.180
5.000	2.000	1.580
6.000	2.000	1.890
6.000	2.250	1.500
7.000	2.000	2.200
7.000	2.250	1.740
8.000	2.000	2.520
8.000	2.250	1.990
8.000	2.500	1.600
9.000	2.000	2.830
9.000	2.250	2.250
9.000	2.500	1.800
9.000	3.000	1.260
10.000	2.250	2.490
10.000	2.500	2.000
10.000	3.000	1.400
12.000	2.250	3.000
12.000	2.500	2.420
12.000	3.000	1.680
15.000	2.500	3.000
15.000	3.000	2.100
15.000	3.500	1.550

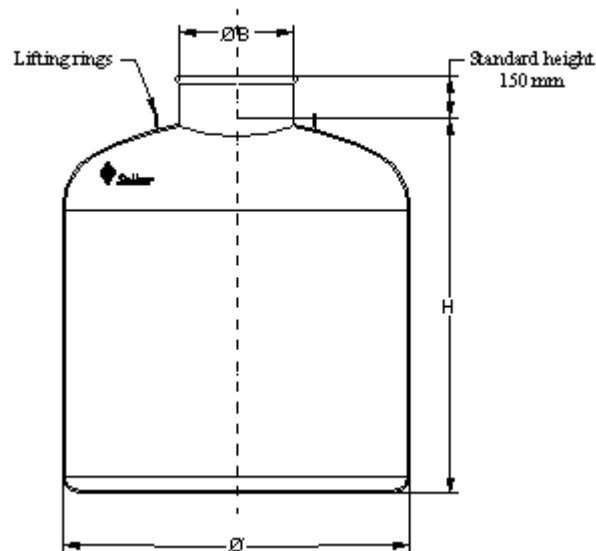
WATER STORAGE TANKS, OF VERTICAL AND CYLINDRICAL SHAPE, CLOSED WITH MANHOLE AND COVER MADE OF FIBERGLASS REINFORCED POLYESTER (FGRP)**MODEL: CVC-E****Function:**

- WATER storage

Characteristics:

- Manufactured by Salher, model: CVC-E
- Device made of fiberglass reinforced polyester with orthophthalic resin.
- Cylindrical shape with flat base and open on top.
- Cover made of fiberglass reinforced polyester (FGRP). In option: Cast iron cover (heavy traffic and pedestrians) and tops.
- PVC flanges in option. Provide number of plugs, diameter and location.
- Other tank diameters available.



MODEL: CVC-E


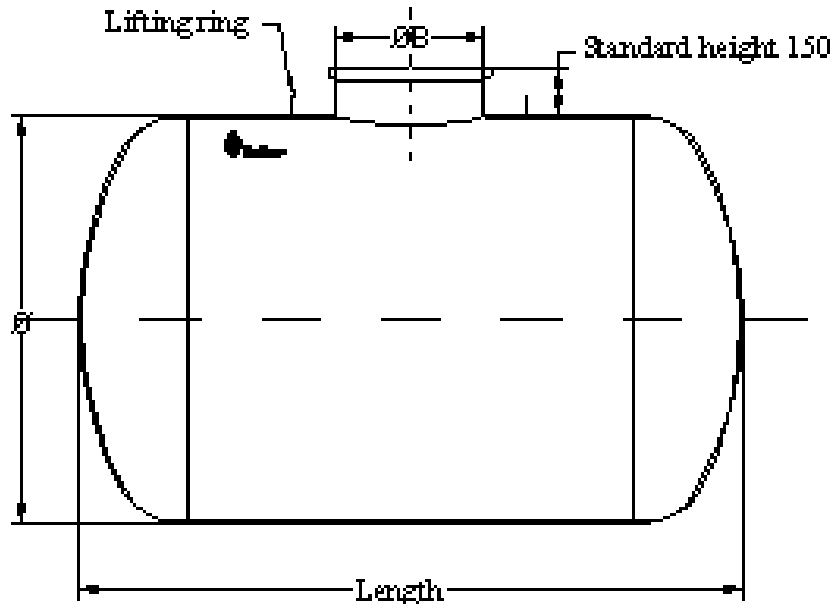
CAPACITY [liters]	DIAMETER (Ø) [mm]	HEIGHT [mm]
1.000	1.000	1.370
1.500	1.000	2.000
1.500	1.400	1.120
2.000	1.400	1.440
2.500	1.400	1.760
3.000	1.400	2.100
4.000	1.400	2.710
5.000	1.700	2.400
5.000	2.000	1.790
6.000	2.000	2.110
8.000	2.000	2.750
9.000	2.000	3.060
10.000	2.000	3.380
12.000	2.000	4.020
15.000	2.000	4.970
15.000	2.500	3.300
20.000	2.500	4.320
24.000	2.500	5.130
25.000	2.500	5.340

WATER STORAGE TANKS, OF HORIZONTAL AND CYLINDRICAL SHAPE, CLOSED WITH MANHOLE AND COVER MADE OF FIBERGLASS REINFORCED POLYESTER (FGRP)**MODEL: CHC****Function:**

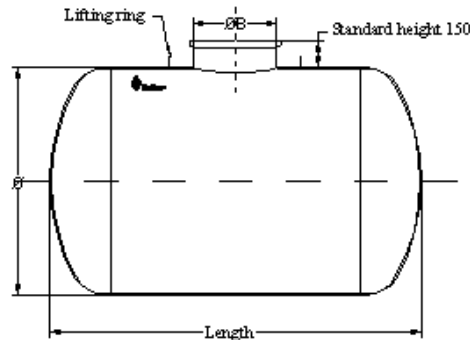
- WATER storage

Characteristics:

- Manufactured by Salher, model: CHC
- Device made of fiberglass reinforced polyester (FGRP) with orthophthalic resin.
- Cylindrical shape with flat base and open on top.
- Cover made of fiberglass reinforced polyester. In option: **Cast iron cover** (heavy traffic and pedestrians) and tops.
- PVC flanges in option. Provide number of plugs, diameter and location.
- Other tank diameters available.
- Bases for above installation in option.



MODEL: CHC



CAPACITY [litres]	Ø [mm]	LENG. [mm]	Supports number
1.000	1.000	1.470	2
1.500	1.200	1.560	2
2.000	1.200	2.007	2
2.500	1.400	1.905	2
3.000	1.400	2.230	2
4.000	1.400	2.880	2
5.000	1.700	2.540	2
6.000	1.700	2.980	2
7.000	1.700	3.420	2
8.000	1.700	3.860	2
9.000	1.700	4.300	2
10.000	2.000	3.580	2
11.000	2.000	3.890	2
12.000	2.000	4.214	2
13.000	2.000	4.530	2
14.000	2.000	4.850	2
15.000	2.000	5.170	2
20.000	2.000	6.760	4
24.000	2.500	5.380	4
25.000	2.500	5.590	4
30.000	2.500	6.600	4
35.000	2.500	7.610	4
40.000	2.500	8.640	4
45.000	2.500	9.660	6
50.000	2.500	10.680	6
60.000	2.500	12.710	6
70.000	3.000	10.500	CONSULT US
80.000	3.000	11.900	""
90.000	3.500	10.040	""
100.000	3.500	11.077	""
110.000	3.500	12.120	""
120.000	3.500	13.160	""
130.000	3.500	14.200	""
140.000	3.500	15.240	""
150.000	4.000	13.890	""

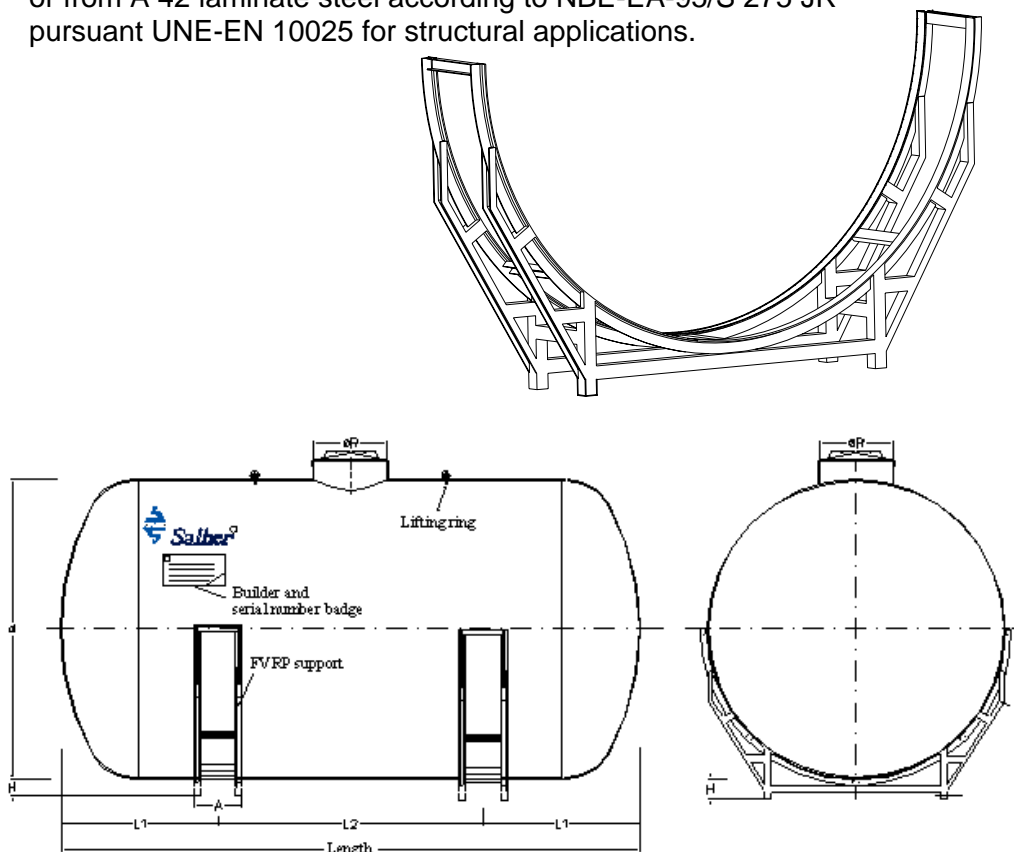
BASES FOR HORIZONTAL TANKS MODEL CHC
MODEL: SO-CU

Function:

- Support structure for installation of devices with cylindrical and horizontal disposition (ref: CHC) on surface.

Characteristics:

- Made from iron and fiberglass reinforced polyester (FGRP) with orthophthalic resin or from A 42 laminate steel according to NBE-EA-95/S 275 JR pursuant UNE-EN 10025 for structural applications.



DIAMETER [Ø] [mm]	A [mm]	H [mm]	MATERIAL
1.000	180	150	PRFV
1.200	180	150	PRFV
1.400	227	190	IRON
1.700	262	190	IRON
2.000	318	210	IRON
2.250	347	210	IRON
2.500	380	210	IRON
3.000	450	250	IRON
4.000	500	250	IRON

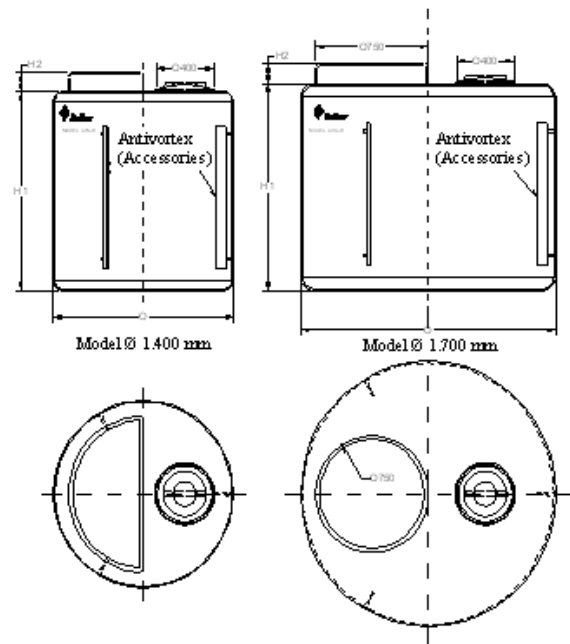
WATER STORAGE TANKS, OF VERTICAL AND CYLINDRICAL SHAPE, CLOSED WITH BASE FOR AGITATOR AND TURNED COVER
MODEL: CVC-B

Function:

- Tank for beating with reinforced top purposed.

Characteristics:

- Manufactured by: Salher, model CVC-B.
- Device made of fiberglass reinforced polyester (FGRP) with orthophthalic resin.
- Cylindrical shape with flat base and surface.
- Turned cover of 454 or 620mm diameter.
- Upper base to place the agitator and threads made of FGRP.
- PVC flanges in option. Provide number of plugs, diameter and location.
- Other tank diameters available



CAPACITY (liters)	DIAMETER [mm]	H1 [mm]	H2 [mm]
1.000	1.000	1.273	1.373
1.000	1.200	884	984
1.500	1.200	1.326	1.426
2.000	1.400	1.299	1.399
2.500	1.400	1.624	1.724
3.000	1.700	1.321	1.421
4.000	1.700	1.762	1.862
5.000	2.000	1.591	1.691
6.000	2.000	1.909	2.009

OPTIONS PER CVC-B

ANTIVORTEX

DIESEL OIL STORAGE TANK, OF VERTICAL AND CYLINDRICAL SHAPE, WITH DOUBLE WALL, APPROVED.

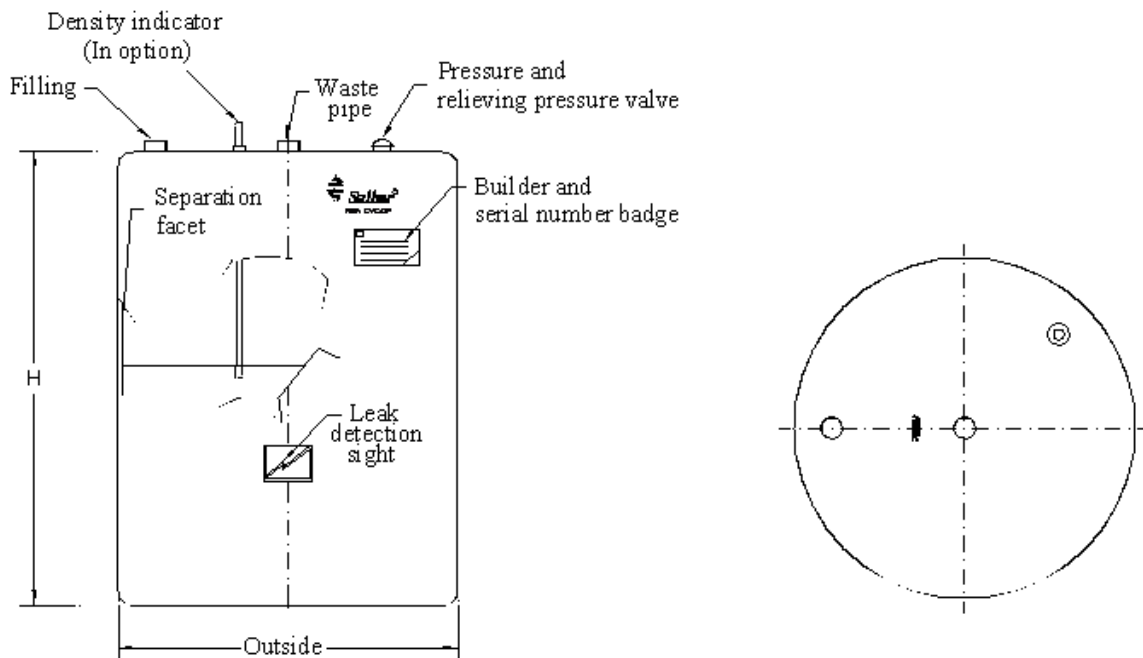
MODEL: CVC-DPH

Function:

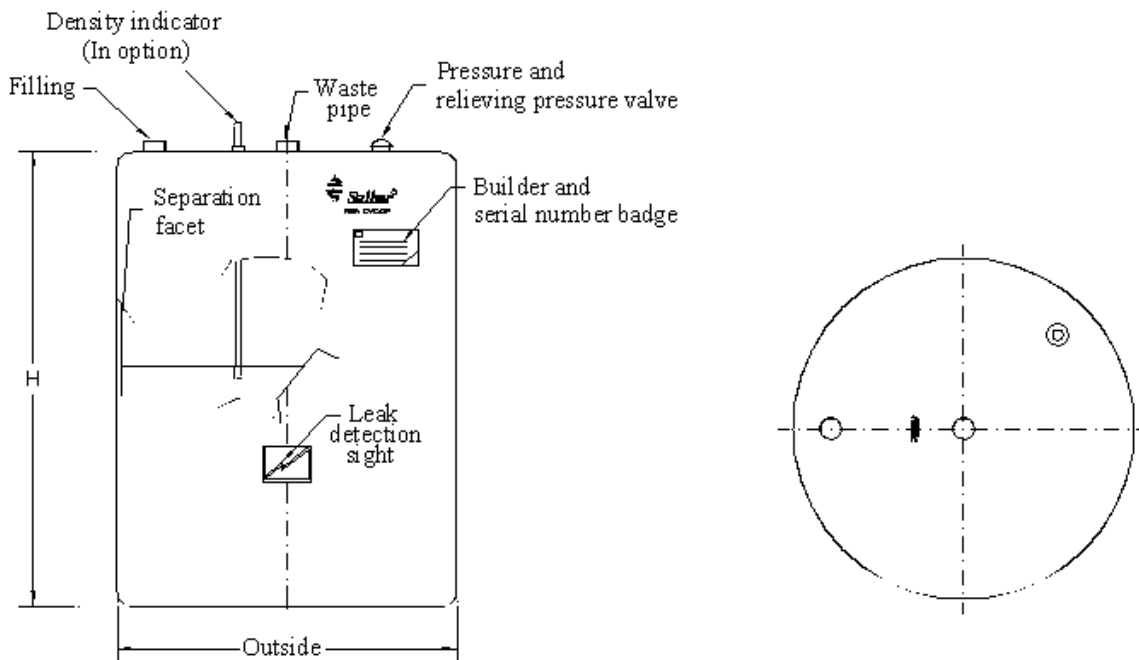
- DIESEL OIL storage.

Characteristics:

- Manufactured by: Salher, model: CVC-DPH.
- Device made of fiberglass reinforced polyester (FGRP) with orthophthalic resin.
- Double wall made of FGRP consisting of:
 - 1) Internal layer for chemical protection (isophthalic resin)
 - 2) Layer providing mechanic resistance –orthophthalic resin (Inner tank).
 - 3) Separating and isolating layer from airing chamber (Inner tank).
 - 4) Separating core with airing chamber.
 - 5) Separating and isolating layer from airing chamber (Outer tank).
 - 6) Orthophthalic resin layer enhancing mechanical strength of tank (Outer tank).
 - 7) Protection against outside factors (orthophthalic resin).
- Peephole for leakage detection
- Capacity meter.
- Emergency valve – expansion.
- Flat surface with manhole for feeding and discharge 2”.



MODEL: CHC-DPH



CAPACITY [liters]	Ø [mm] INSIDE	Ø [mm] OUTSIDE	HEIGHT [mm]
500	620	640	1750
500	750	770	1.240
750	750	770	1.800
1.000	1.000	1.030	1.380
1.500	1.000	1.030	2.020
1.500	1.200	1.230	1.430
2.000	1.200	1.230	1.870
2.000	1.400	1.440	1.400
2.500	1.400	1.440	1.720
3.000	1.400	1.440	2.020
4.000	1.700	1.760	1.850
5.000	2.000	2.080	1.700
6.000	2.000	2.080	2.000

DIMENSION IN MM, VOLUME IN LITERS

OIL STORAGE TANK, OF VERTICAL AND CYLINDRICAL SHAPE, WITH DOUBLE WALL, APPROVED.

MODEL: CVC-DPA

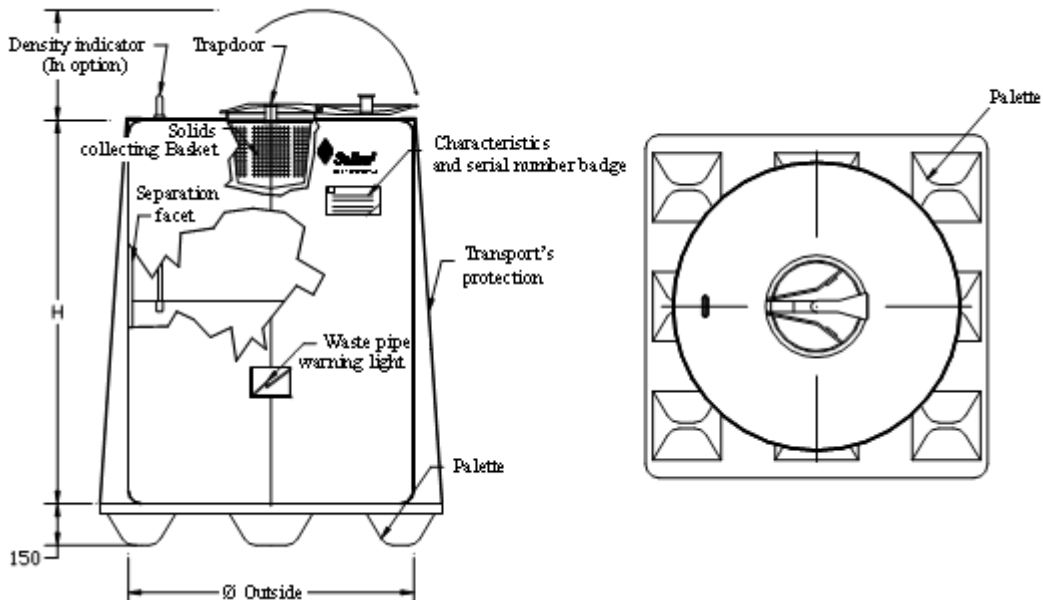
Function:

- OIL storage.

Characteristics:

- Manufactured by: Salher, model CVC-DPA.
- Device made of fiberglass reinforced polyester (FGRP) with orthophthalic resin.
- Double wall made FGRP consisting of:
 - 1) Internal layer for chemical protection (orthophthalic resin)
 - 2) Layer providing mechanic resistance –orthophthalic resin (Inner tank).
 - 3) Separating and isolating layer from airing chamber (Inner tank).
 - 4) Separating core with airing chamber.
 - 5) Separating and isolating layer from airing chamber (Outer tank).
 - 6) Orthophthalic resin layer enhancing mechanical strength of tank (Outer tank).
 - 7) Protection against outside factors (isophtalic resin).
- Peephole for leakage detection
- Capacity meter.
- Emergency valve
- Flat surface with manhole for feeding and discharge 2”.
- Turned cover along with basket for screenings collection.
- Level meter in option.

MODEL: CVC-DPA



CAPACITY [liters]	Ø [mm] INSIDE	Ø [mm] OUTSIDE	HEIGHT [mm]
300	620	1100	315
500	750	1.230	315
750	1.000	1.050	415
1.000	1.000	1.380	415
1.500	1.200	1.430	415
2.000	1.400	1.400	415

EN OPTION POUR CVC-DP-AC

Mesure du Volume (Volumètre)

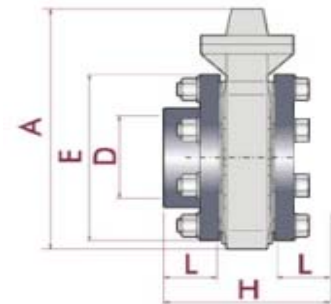
DIMENSSION IN MM, VOLUME IN LITERS.

ACCESSORIES
CONNECTOR IN PVC, GLUING NUT, METRIC SERIES
MODEL: MAN-HEM
Function:

Kit composed with a strait pipe, seal gum and bridle. Everything is screw on the steel to connect the tank to extern pipes.


Characteristics:

- Dimensioned according to the EN 1452-2 and EN 1452-3 norms for pipe standard connexion.
- Plastic matter PP and PVC-U
- Steel galvanized matter.



DN	D [mm]	PN [mm]	L [mm]	Z [mm]	E [mm]
0	16	16	14	3	22
15	20	16	16	3	27
20	25	16	19	3	33
25	32	16	22	3	41
32	40	16	26	3	50
40	50	16	31	3	61
50	63	16	38	3	75
65	75	16	44	4	90
80	90	16	51	5	108
100	110	16	61	6	131
110	125	16	69	7	148
125	140	16	76	9	164
150	160	10	86	9	180
175	200	10	106	10	225
200	225	10	119	10	252
225	250	10	131	12	180
300	315	10	164	12	352
375	400	6	206	12	432

**BRIDLES WITH CONNECTOR BRIDLES-CARRIER PVC-U AND PVC-U BRIDLE.
 BRIDLE SYSTEM IN 1452
 MODEL: BRIDA**

Function:

Kit composed with a bridle holder cylindrical cover, idle bridle and pipe to connect tanks to the extern pipes.

Characteristics:

- Dimensioned according to EN 1452-2 and 1452-3 norms for pipe standard connexion.
- Plastic matter PVC-U and Steel galvanized matter.



DN	D [mm]	PN [mm]	H [mm]	Z [mm]	E [mm]	K [mm]	F [mm]
15	20	16	20	4	95	65	14x4
20	25	16	23	4	105	75	14x4
25	32	16	26	4	115	85	14x4
32	40	16	30	4	142	100	18x4
40	50	16	35	4	152	110	18x4
50	63	16	42	4	165	125	18x4
65	75	16	47	3	185	145	18x4
80	90	16	56	5	200	160	18x8
100	110	16	66	5	220	180	18x8
110	140 x 125	16	74	5	230	190	18x8
110	125	16	74	5	250	210	18x8
125	140	16	81	5	250	210	18x8
150	160	10	91	5	285	240	22x8
175	200	10	112	6	315	270	22x8
200	225	10	125	6	340	295	22x8
225	250	10	125	6	399	350	22x12
300	315	10	125	6	450	400	22x12

ACCESSORIES FOR ADDITIONAL INSPECTION MANHOLES

STANDARD HEIGHT: 150 À 250 mm

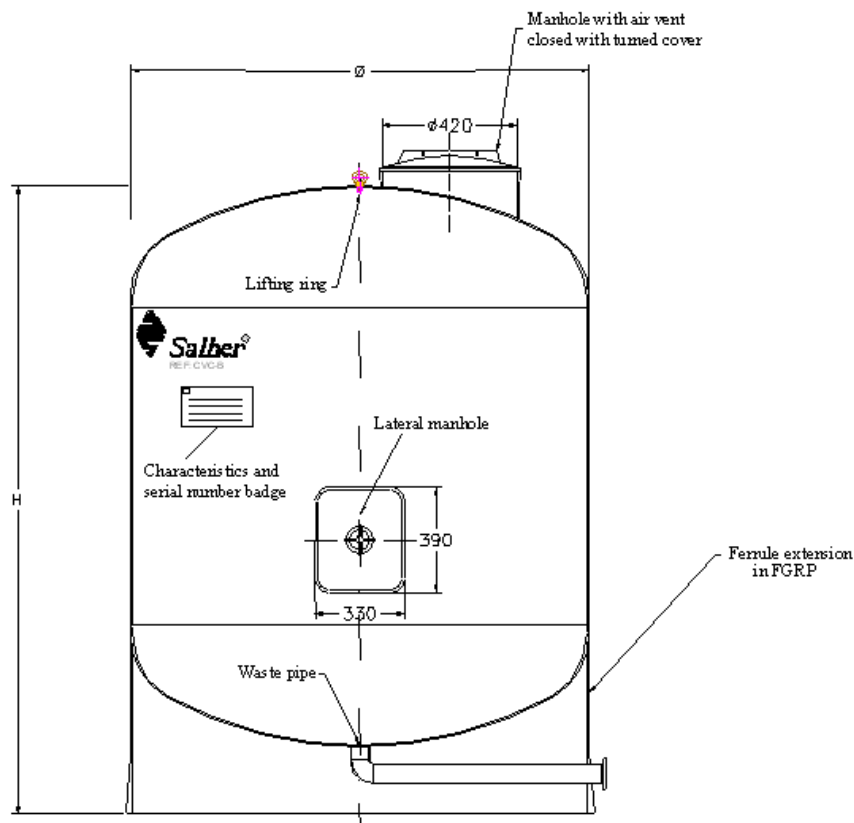
NET PRICES :

DIAMETER [mm]
500
620
750
1.000
1.200
1.400
1.700

FERRULE EXTENSION

NET PRICES

DIAMETER [mm]
500
620
750
1.000
1.200
1.400
1.700
2.000
2.500
3.000



SIDE INSPECTION MANHOLE
 Made of INOX 390 x 330 mm