

**STATIC SCREEN****MODEL: TA - ES****Function:**

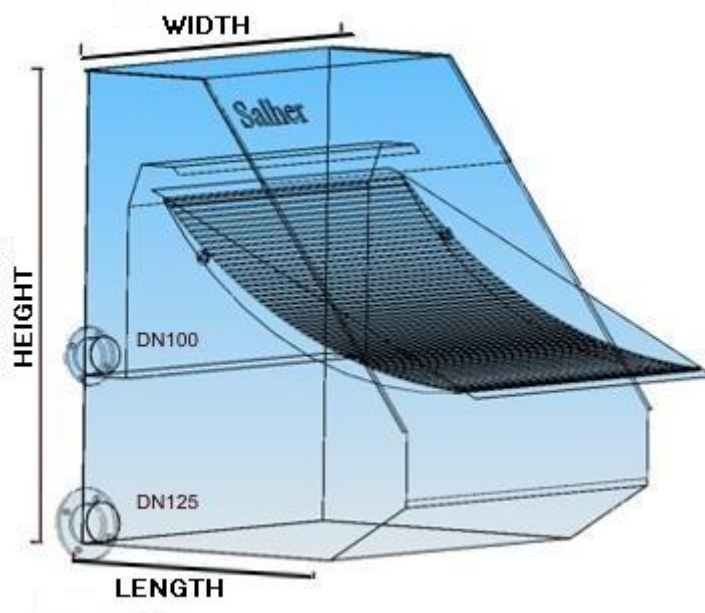
- Filtration or tangential screening of solids (Liquid-Solid Separation).
- Elimination of small solids sized between 0.5 and 1 mm.

**Characteristics:**

- Made of AISI 304 Stainless Steel. Optional AISI 316.
- Electrically-welded filtrating screening made of AISI 304 Stainless Steel. Johnson Type Triangular Section Profile.
- Screening sizes available from 0.5 up to 1 mm.
- Automatic pressurized treatment system.
- AISI 304 Stainless Steel flange set.
- No maintenance required. No power consumption.
- Easy to install.



SCREENINGS SIZES [mm]	0,50	0,75	1,00
MODEL	CLEAN WATER MAXIMUM FLOW (m <sup>3</sup> /h)		
TAES - 500	8	12	25
TAES - 1000	15	30	70



TYPE	WIDTH [mm]	HEIGHT [mm]	LENGTH [mm]	INLET CE	OUTLET CS
TA - ES 500	600	1300	1100	DN100	DN125
TA - ES 1000	1100	1300	1100	DN100	DN125