

ROTARY SCREEN
MODEL: TA-RO

Function:

- High-efficiency filtration of particles (separation liquid-solid) in industrial and domestic wastewaters. Removal of small solids sized between 0.25 and 3mm.

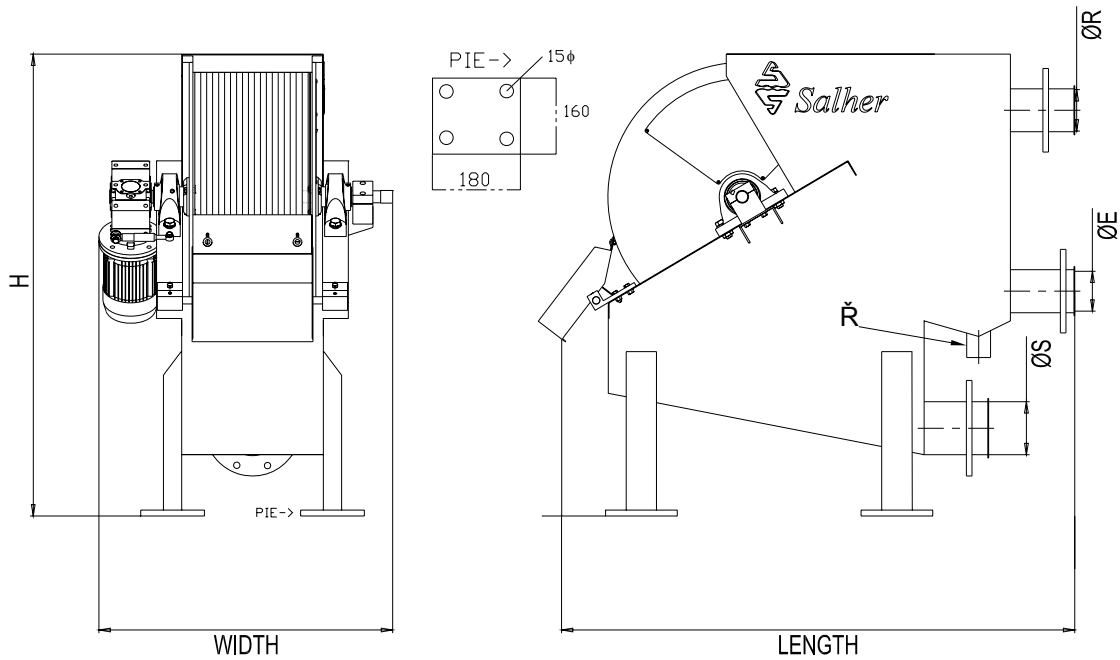
Characteristics:

- Manufactured by Salher, Model TA-RO.
- Made of AISI 304 stainless steel or, in option, with AISI 316.
- Stainless Steel Filtering Cylinder AISI 304 made by helical gyre. Triangular section profile, Johnson Type.
- Available screening sizes: from 0.25 to 3 mm.
- Automatic double treatment system with diffusers, including a scraper and a pressure washing system for the filtering drum.
- Inlet and outlet pipes and safety overflow discharge in AISI 304 stainless steel.
- Evacuation pipe in AISI 304.
- Above ground installation.



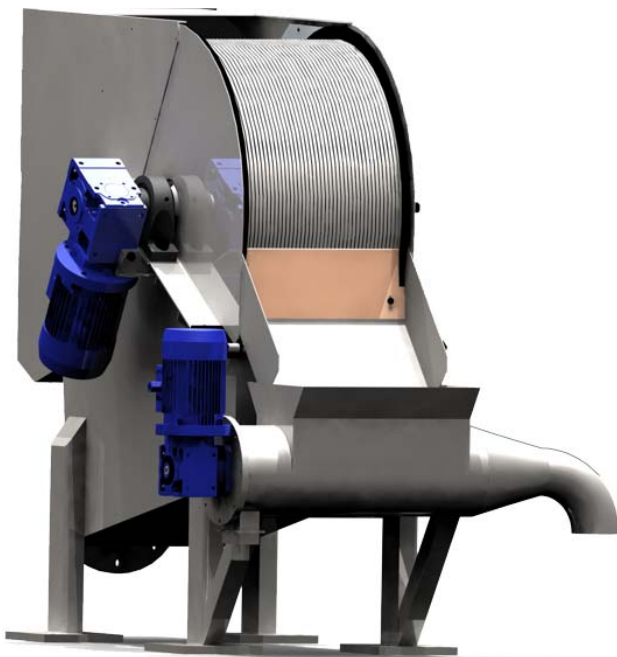
SCREENINGS SIZE [mm]	0,25	0,50	1,00	2,00	3,00
TYPE	MAXIMUM CLEAN WATER FLOW [M3/H]				
TARO - 300	20	35	50	80	110
TARO - 600	40	72	105	155	190
TARO - 1200	75	135	205	309	375

PLEASE CONTACT US IN CASE OF OTHER SCREEN OR FLOW REQUIREMENTS



E= INLET, S= OUTLET, R=FLOW, V=EVACUATION

TYPE	SCREEN WIDTH [mm]	SCREEN HEIGHT [mm]	SCREEN LENGTH [mm]	DRUM Ø [mm]	DRUM WIDTH [mm]	MOTOR POWER Kw	FLANGES (E, S, R,P) DN
TARO - 300	720	1.160	1.330	600	325	0.25	100, 125, 100
TARO - 600	1.020	1.160	1.330	600	625	0.25	125, 150, 100
TARO - 1200	1.620	1.160	1.330	600	1225	0.25	150, 200, 125



OPTIONAL: COMPACTOR FOR SIEVE