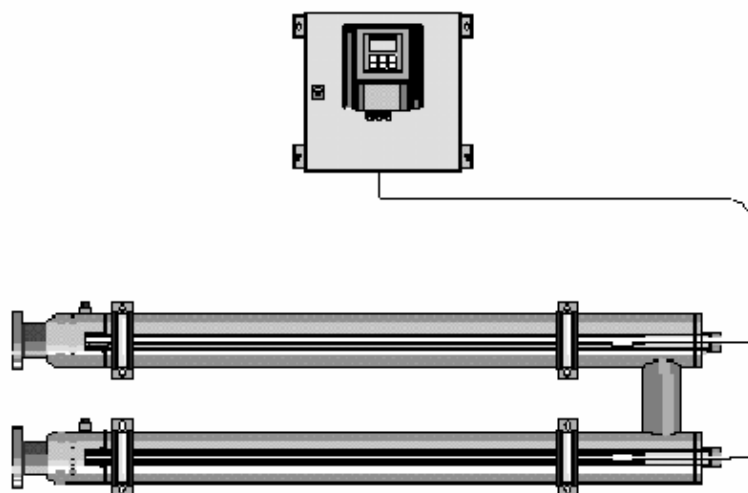


ULTRAVIOLET DISINFECTION.
REF: EST-UV.
Characteristics:

- Ultraviolet radiation generator equipment with a frequency of 254 nm.
- Radiation chamber in stainless steel AISI-304 (< 1,5 m³/h) and AISI 316 (> 1,5 m³/h). External electro polishing.
- High technology UV light.
- Automatic cleaning.
- Electronic control module with visual and acoustic alarm in case of light's failure. Time switch and alarm to warn when the light have to be change.
- Optional: a UV intensity sensor could be place.
- The light can works during 7.500 hours.
- Works' maximal pressure: 9 bar.
- Elimination of pathogen germs, noxious bacterium, virus and parasites i
- Don't produce noxious' by-products.
- Optional: Automatic cleaning (CONSULT US)



REF.	FLOW [m ³ /h]	CONNECTION S [inch]	POWER [W]	LIGHT DIAMETER [mm]	LIGHT LENGTH [mm]
EST-UV-1	Until 0.3	3/8"	16	50	340
EST-UV-2	Until 0.5	3/4" M	27	90	345
EST-UV-3	Until 1.5	3/4" M	43	90	495
EST-UV-4	Until 3.0	1" M	67	90	735
EST-UV-5	Until 5.0	1" M	102	90	1100
EST-UV-6	Until 10.0	2 x 1" M	2 x 67	2 x 90	2 x 735

FOR UPPER OR MEDDIUM FLOW, CONSULT US.

AUTOMATIC UV SYSTEM

Salher has ultraviolet (UV) system with automatic cleaning composed with:

- High technology light. Maximal disinfection thanks to the 254 nm wavelength radiation emission.
 - Five times more efficient that the low pressure light concerning the UV-C radiation power.
 - Until three times more resistant that the medium pressure light.
- selected UV sensor, stable and calibrated (this is a very exact control instrument)
- Automatic cleaning (reduce the maintenance and the exploitation costs)
- Spectrum control system.