

HYPOCHLORITE DISINFECTION STATIONREF: CVC-CE**Function:**

- Residual water disinfection to eliminate pathogen germs and reuse the water.

Characteristics:

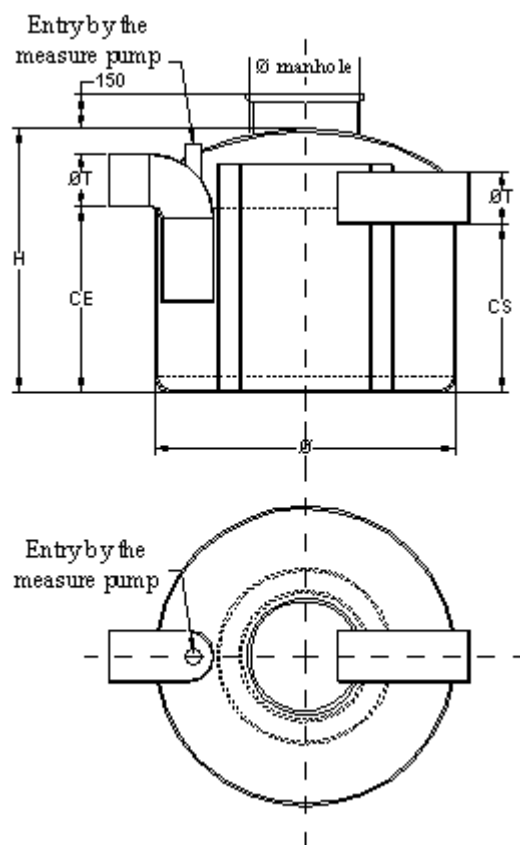
- Disinfection chamber or reactor composed with: a contact chamber made in FGRP (Fiber Glass Reinforced Polyester) with inlet, outlet, contact labyrinth, ventilation and injection points.
- Magnetic measure pump with membrane totally made in Teflon (PTFE) to guarantee the chemical compatibility and a high mechanical resistance, included accessories kit.
- Cylindrical tank, to contain liquids mix, which has a capacity between 100 and 1000 liters, with hermetic upper cover and lower draining valve

There are 2 options:

Type 1: Disinfection chamber

Type 2: Disinfection chamber
 Measure pump
 Sodium hypochlorite tank

REF.C.V.C. - C.E.



| CAPACITY (L) | Ø | HEIGHT | Ø MANHOLE | Ø PIPES |
|--------------|-------|--------|-----------|---------|
| 500 | 1.000 | 750 | 400 | 125 |
| 750 | 1.000 | 1.070 | 500 | 125 |
| 1.000 | 1.200 | 1.000 | 500 | 160 |
| 1.500 | 1.400 | 1.120 | 620 | 200 |
| 2.000 | 1.400 | 1.440 | 620 | 200 |
| 2.500 | 1.400 | 1.760 | 620 | 250 |
| 3.000 | 1.700 | 1.490 | 620 | 250 |
| 3.500 | 1.700 | 1.710 | 620 | 300 |
| 4.000 | 2.000 | 1.470 | 620 | 300 |
| 4.500 | 2.000 | 1.520 | 620 | 300 |
| 5.000 | 2.000 | 1.790 | 620 | 300 |
| 5.500 | 2.500 | 1.370 | 620 | 300 |

INNER SIZE, IN MM.