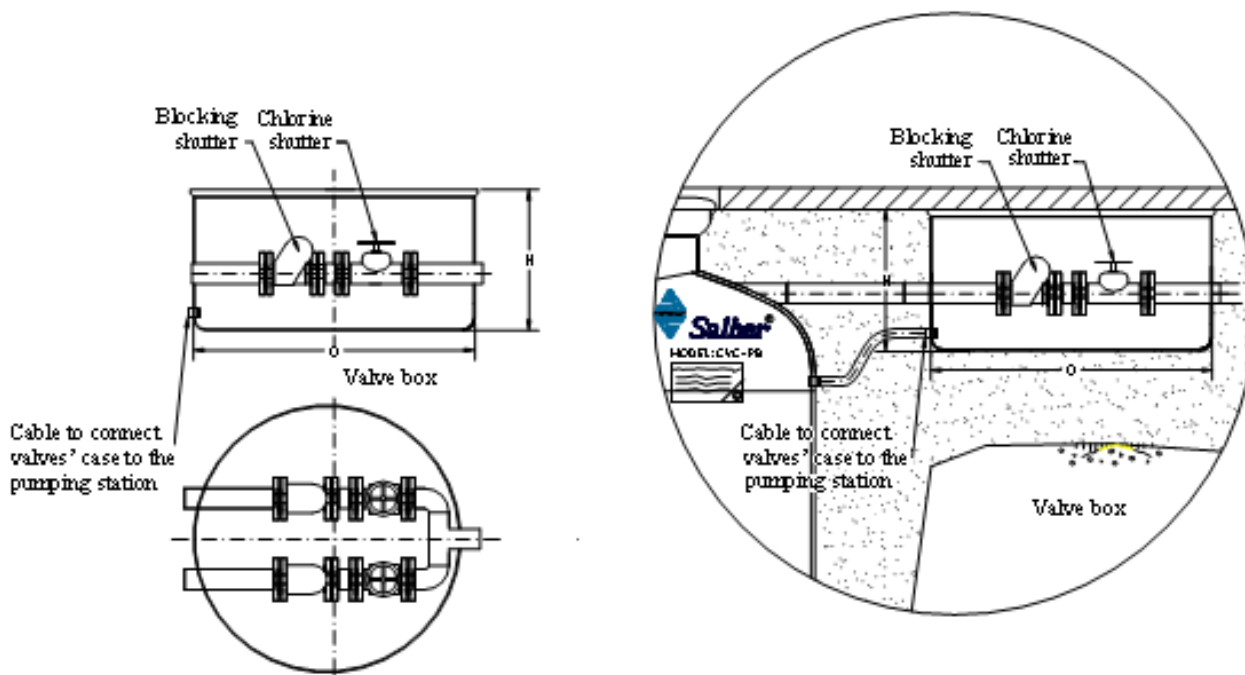


VALVES BOX
MODEL: CVA-CV

Valves for input wires may be installed inside the same pumping station, or installed outside in an easy accessible valve box made of FiberGlass Reinforced Polyester (FGRP).



MODELS	Type	Ø	Height
CVA-CV-40-50	DN40 A DN 50	750	500
CVA-CV-65-80	DN65 A DN80	1.000	500
CVA-CV-100	DN 100	1.200	500