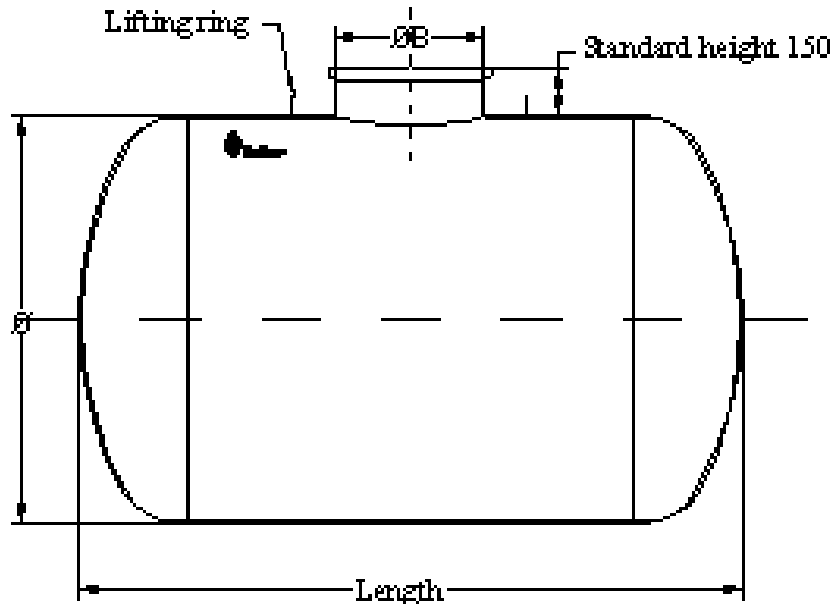


WATER STORAGE TANKS, OF HORIZONTAL AND CYLINDRICAL SHAPE, CLOSED WITH MANHOLE AND COVER MADE OF FIBERGLASS REINFORCED POLYESTER (FGRP)**MODEL: CHC****Function:**

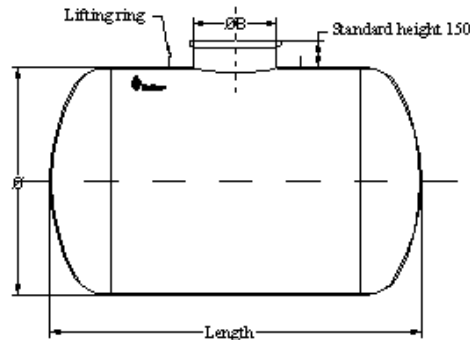
- WATER storage

Characteristics:

- Manufactured by Salher, model: CHC
- Device made of fiberglass reinforced polyester (FGRP) with orthophthalic resin.
- Cylindrical shape with flat base and open on top.
- Cover made of fiberglass reinforced polyester. In option: **Cast iron cover** (heavy traffic and pedestrians) and tops.
- PVC flanges in option. Provide number of plugs, diameter and location.
- Other tank diameters available.
- Bases for above installation in option.



MODEL: CHC



CAPACITY [litres]	Ø [mm]	LENG. [mm]	Supports number
1.000	1.000	1.470	2
1.500	1.200	1.560	2
2.000	1.200	2.007	2
2.500	1.400	1.905	2
3.000	1.400	2.230	2
4.000	1.400	2.880	2
5.000	1.700	2.540	2
6.000	1.700	2.980	2
7.000	1.700	3.420	2
8.000	1.700	3.860	2
9.000	1.700	4.300	2
10.000	2.000	3.580	2
11.000	2.000	3.890	2
12.000	2.000	4.214	2
13.000	2.000	4.530	2
14.000	2.000	4.850	2
15.000	2.000	5.170	2
20.000	2.000	6.760	4
24.000	2.500	5.380	4
25.000	2.500	5.590	4
30.000	2.500	6.600	4
35.000	2.500	7.610	4
40.000	2.500	8.640	4
45.000	2.500	9.660	6
50.000	2.500	10.680	6
60.000	2.500	12.710	6
70.000	3.000	10.500	CONSULT US
80.000	3.000	11.900	""
90.000	3.500	10.040	""
100.000	3.500	11.077	""
110.000	3.500	12.120	""
120.000	3.500	13.160	""
130.000	3.500	14.200	""
140.000	3.500	15.240	""
150.000	4.000	13.890	""