

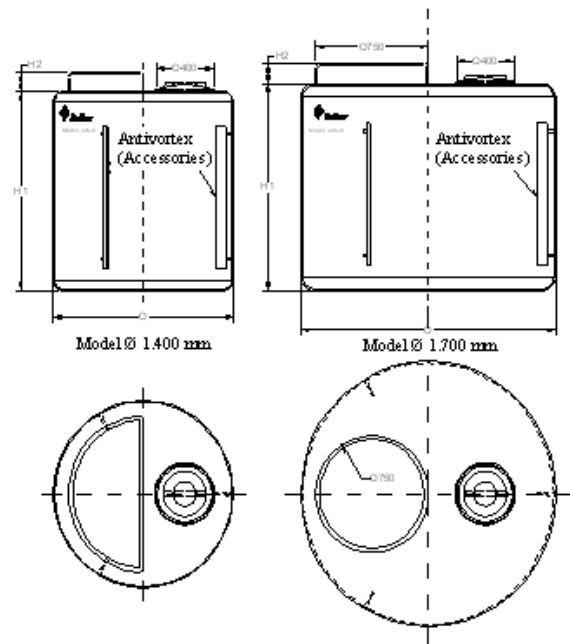
WATER STORAGE TANKS, OF VERTICAL AND CYLINDRICAL SHAPE, CLOSED WITH BASE FOR AGITATOR AND TURNED COVER
MODEL: CVC-B

Function:

- Tank for beating with reinforced top purposed.

Characteristics:

- Manufactured by: Salher, model CVC-B.
- Device made of fiberglass reinforced polyester (FGRP) with orthophthalic resin.
- Cylindrical shape with flat base and surface.
- Turned cover of 454 or 620mm diameter.
- Upper base to place the agitator and threads made of FGRP.
- PVC flanges in option. Provide number of plugs, diameter and location.
- Other tank diameters available



CAPACITY (liters)	DIAMETER [mm]	H1 [mm]	H2 [mm]
1.000	1.000	1.273	1.373
1.000	1.200	884	984
1.500	1.200	1.326	1.426
2.000	1.400	1.299	1.399
2.500	1.400	1.624	1.724
3.000	1.700	1.321	1.421
4.000	1.700	1.762	1.862
5.000	2.000	1.591	1.691
6.000	2.000	1.909	2.009

OPTIONS PER CVC-B

ANTIVORTEX