

**OIL STORAGE TANK, OF VERTICAL AND CYLINDRICAL SHAPE, WITH DOUBLE WALL, APPROVED.**

MODEL: CVC-DPA

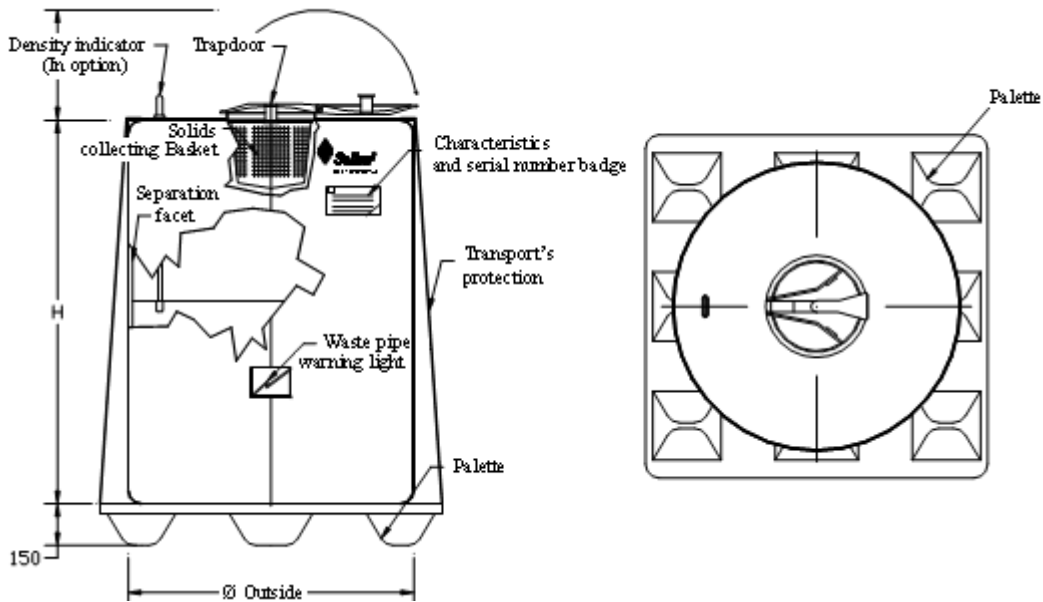
**Function:**

- OIL storage.

**Characteristics:**

- Manufactured by: Salher, model CVC-DPA.
- Device made of fiberglass reinforced polyester (FGRP) with orthophthalic resin.
- Double wall made FGRP consisting of:
  - 1) Internal layer for chemical protection (orthophthalic resin)
  - 2) Layer providing mechanic resistance –orthophthalic resin (Inner tank).
  - 3) Separating and isolating layer from airing chamber (Inner tank).
  - 4) Separating core with airing chamber.
  - 5) Separating and isolating layer from airing chamber (Outer tank).
  - 6) Orthophthalic resin layer enhancing mechanical strength of tank (Outer tank).
  - 7) Protection against outside factors (isophtalic resin).
- Peephole for leakage detection
- Capacity meter.
- Emergency valve
- Flat surface with manhole for feeding and discharge 2”.
- Turned cover along with basket for screenings collection.
- Level meter in option.

MODEL: CVC-DPA



CAPACITY [liters]	Ø [mm] INSIDE	Ø [mm] OUTSIDE	HEIGHT [mm]
300	620	1100	315
500	750	1.230	315
750	1.000	1.050	415
1.000	1.000	1.380	415
1.500	1.200	1.430	415
2.000	1.400	1.400	415

**EN OPTION POUR CVC-DP-AC**

Mesure du Volume (Volumètre)

DIMENSSION IN MM, VOLUME IN LITERS.