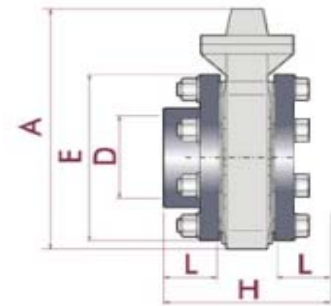


ACCESSORIES
CONNECTOR IN PVC, GLUING NUT, METRIC SERIES
MODEL: MAN-HEM
Function:

Kit composed with a strait pipe, seal gum and bridle. Everything is screw on the steel to connect the tank to extern pipes.


Characteristics:

- Dimensioned according to the EN 1452-2 and EN 1452-3 norms for pipe standard connexion.
- Plastic matter PP and PVC-U
- Steel galvanized matter.



DN	D [mm]	PN [mm]	L [mm]	Z [mm]	E [mm]
0	16	16	14	3	22
15	20	16	16	3	27
20	25	16	19	3	33
25	32	16	22	3	41
32	40	16	26	3	50
40	50	16	31	3	61
50	63	16	38	3	75
65	75	16	44	4	90
80	90	16	51	5	108
100	110	16	61	6	131
110	125	16	69	7	148
125	140	16	76	9	164
150	160	10	86	9	180
175	200	10	106	10	225
200	225	10	119	10	252
225	250	10	131	12	180
300	315	10	164	12	352
375	400	6	206	12	432