

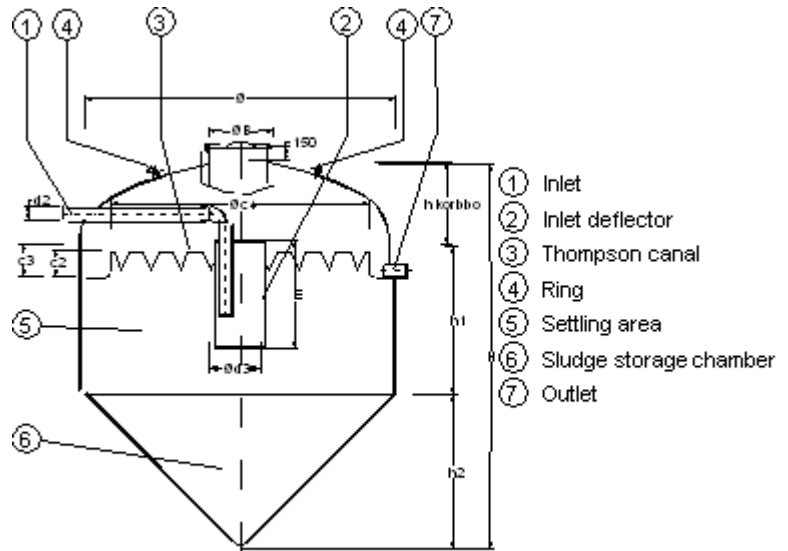
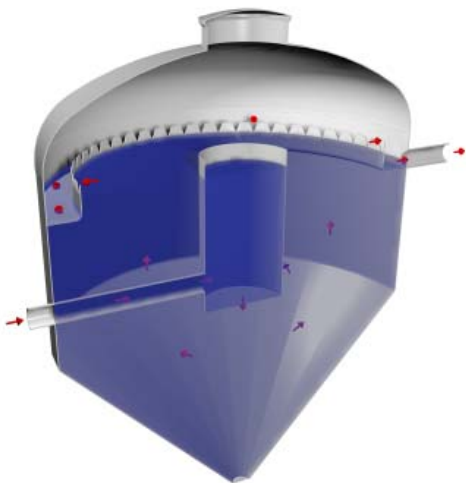
**CLOSED STATIC SETTLING TANK**  
**MODEL: CVC-DC-TC**

**Function:**

- Remove suspended solids.

**Characteristics:**

- Manufactured by Salher, Model CVC-DC-TC.
- Made of Fiberglass Reinforced Polyester (FGRP) with orthophthalic resin.
- Suspended solids removal efficiency: 65-70%.
- Organic matter removal efficiency: 30-35% BOD5.
- Geometric form: Conical.
- Central supply chamber and Thompson perimetral canal.
- PVC inlet and outlet pipes.
- Connection pipe located on the manhole to install the air vent (or possibility to install it in any other place).



MAIN CYLINDER					PARTIAL HEIGHT			CANAL				CAPACITY [in liters]
φD	φd1	φd2	φd3	E	h1	h2	H	c1	c2	c3	c4	
1.000	75	75	300	700	800	500	1.563	100	150	300	750	750
1.200	75	75	300	700	800	600	1.720	100	150	300	1.000	1.130
1.400	90	90	300	700	800	700	1.870	100	150	300	1.200	1.590
1.700	90	90	400	900	1.000	850	2.300	150	200	300	1.400	2.910
2.000	110	110	500	900	1.000	1.000	2.530	150	200	300	1.700	4.190
2.500	160	160	620	1.000	1.200	1.250	3.110	250	250	350	2.000	7.930
3.000	160	160	690	1.200	1.400	1.500	3.700	250	250	350	2.500	13.420
3.500	200	200	750	1.400	1.600	1.750	4.265	250	300	400	3.000	21.000
4.000	200	200	1.000	1.600	1.800	2.000	4.840	250	300	400	3.500	30.980