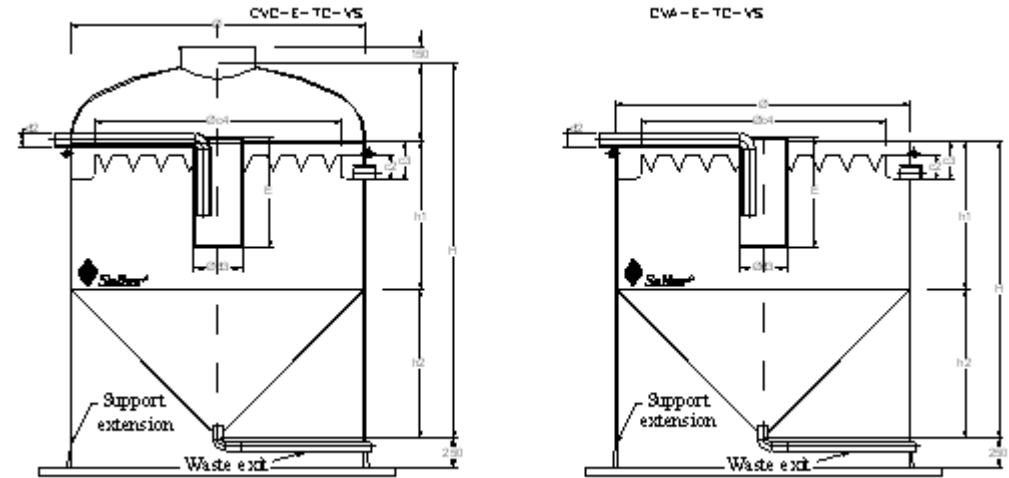


CLOSED GRAVITY THICKENERS WITH FERRULE SUPPORT
 MODEL: C.V.C-E-TC-VS AND C.V.A.-E-TC-VS

Open or closed sludge thickeners for above ground installation using ferrule supports.

In option (please refer to annex page):

- Ladder with rail.
- Tramex for upper part.
- Upper rail.
- Manual or motorized drain valve.
- Agitator.



CENTRAL CYLINDER					PARTIAL HEIGHT				PIPE				CAPACITY [Liters]
φD	φd1	φd2	φd3	E	h1	H2	H CVC	H CVA	c1	c2	c3	c4	
1.400	200	90	300	500	1.750	850	2.800	2.450	150	200	300	1.200	3.000
1.700	200	90	400	500	1.500	850	2.785	2.350	150	200	300	1400	4.000
2.000	200	90	500	700	1.300	1.000	2.810	2.300	150	200	300	1.700	5.000
2.000	200	90	500	700	1.600	1.000	3.610	3.100	150	200	300	1.700	6.000
2.500	200	90	620	700	1.620	1.250	3.945	3.370	250	250	350	2.000	10.000
2.500	200	90	620	700	2.650	1.250	4.475	3.900	250	250	350	2.000	15.000
3.000	200	90	620	700	1.620	1.500	4.260	3.620	250	250	350	2.500	15.000
3.000	200	90	620	700	2.350	1.500	4.490	3.850	250	250	350	2.500	20.000
3.000	200	90	620	700	3.050	1.500	5.190	4.550	250	250	350	2.500	25.000