

### PLATFORM FOR OPEN SLUDGE THICKENERS

MODEL: PASARELA

All platforms are in grey color.

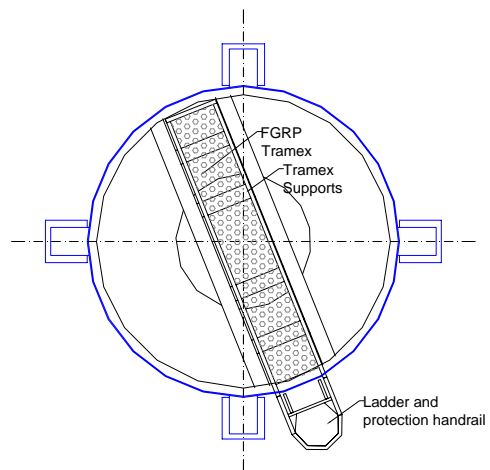
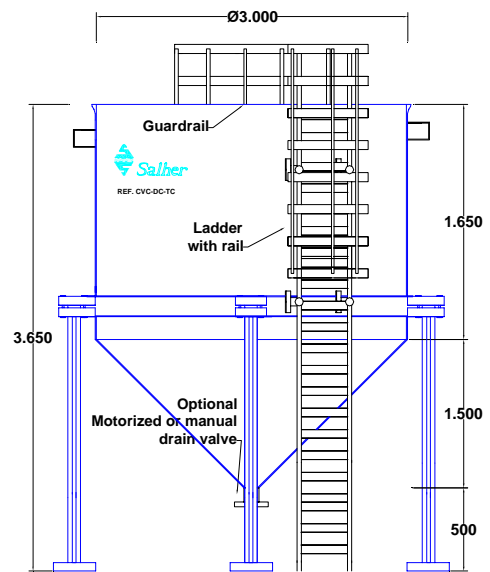
Platform base is made with U profile, sized 90 x 35 x 8 with tramex grating of 26mm.

Guardrail height is 1050mm starting from the grating.

All fastenings and accessories are made of AISI 316 stainless steel.

All platforms are delivered pre-assembled and drilled for easier installation in settling tank.

- Ladder with rail.
- Tramex upper part.
- Upper guardrail.



### PLATFORMS

Ø D
1.700
2.000
2.500
3.000
3.500
4.000

DIAMETER IN MILLIMETERS.