

PREFABRICATED FLOWMETERS

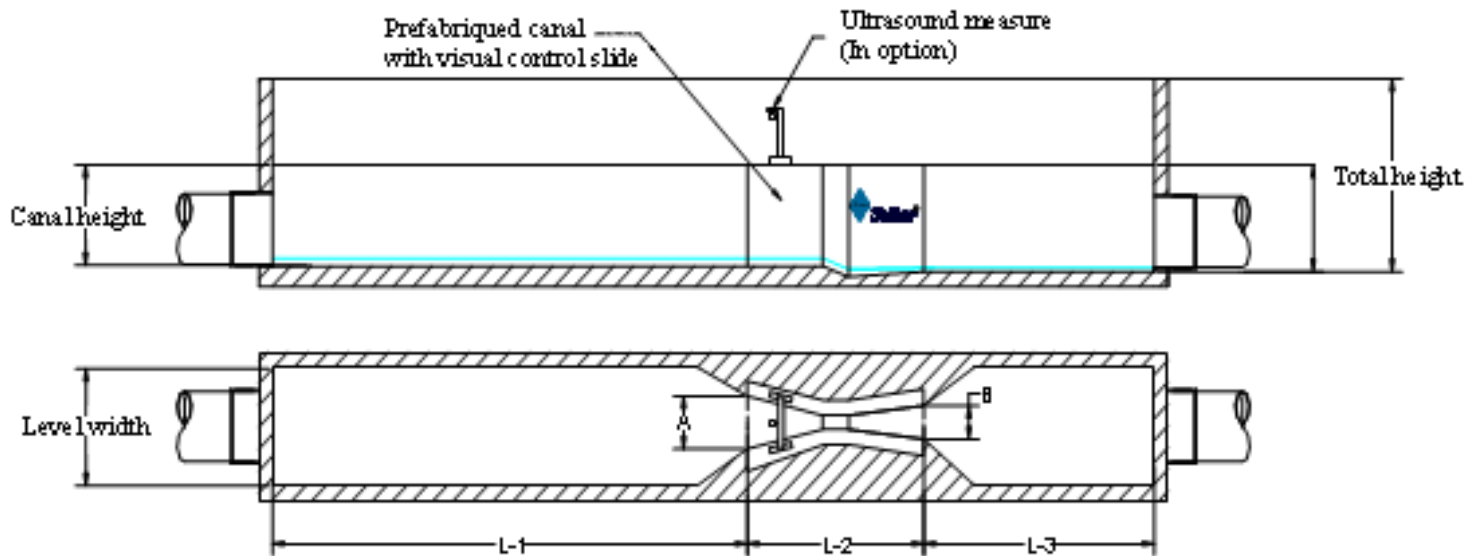
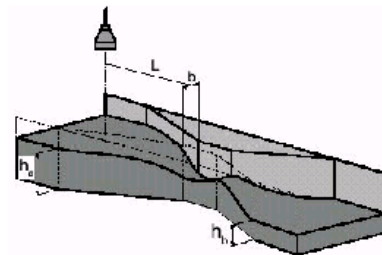
PARSHALL REDUCER
MODEL: MC-CP

Characteristics:

- Canals manufactured by Salher provide proper ratio regarding level and flushing.

Advantages

- Accuracy: +/- 0,5 mm
- Proper and harmonized measurement
- Flat surface
- Simple assembly
- Include a support for signal converter captor.



MODELS	FLOW	PARSHALL'S CANAL		CIVIL ENGINEERING'S CANAL					
1"	0,32-18,5	167	93	635					
2"	1-100	214	135	405	432	—	2.140	774	1.010
3"	3-275	259	76				2.590	774	1.200

SIZE IN MILLIMETERS