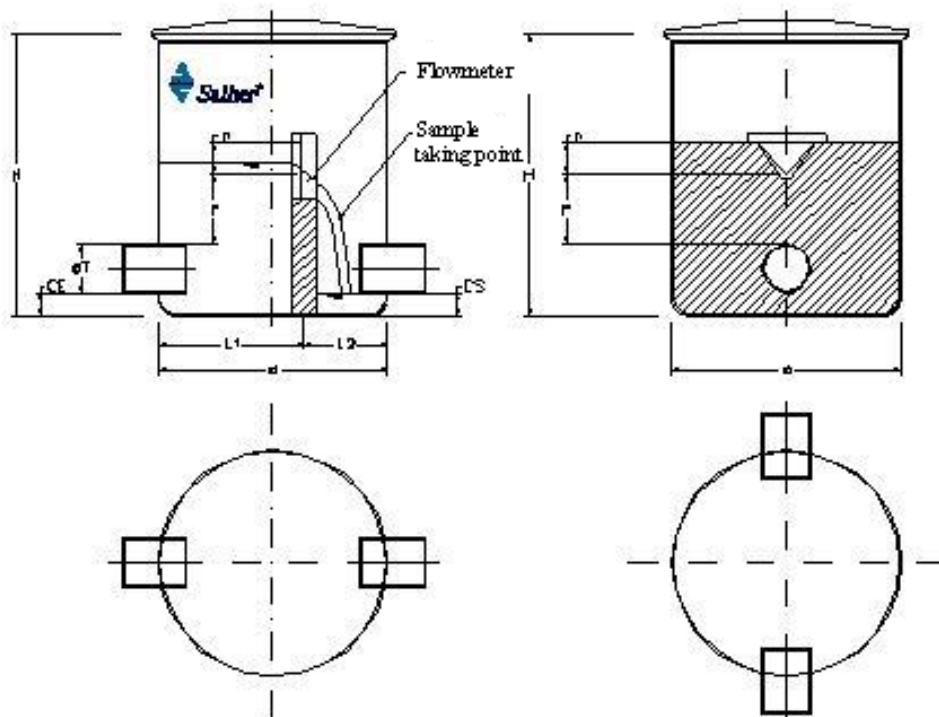


TRIANGULAR DUMPER FLOW METER
MODEL: MC-VT
Function:

- Flushing measurement system. Drawing of samples possible

Characteristics:

- Manufacturer Salher; model MC-VT
- Triangular assembly dumper made of PP, designed with different angles and flushing divisions according to ISO 1438/1 standard.
- Low coefficient of friction, minimum intake of water and high chemical strength
- Flushing manhole consisting of vertical, cylindrical manhole, open at the top, made of fiberglass reinforced polyester (FGRP).
- Wall of FGRP with box for triangle assembly jig.
- PVC inlet and outlet pipes. Cover made of FGRP.



FLOW	ANGLES	Ø	H	p	h	L1	L2	CE	CS
0 a 15	22,5°	1.00	1.250	300	200	700	300	50	50
1,8 a 30	45 °	1.00	1.250	300	185	700	300	50	50
1,8 a 60	45 °	1.00	1.250	350	245	700	300	50	50

SIZE IN MILLIMETERS